

## SPECIFICATIONS

AMC MODEL SW-2181-2AT-011 IS AN ABSORPTIVE SPDT BAND SWITCH MODULE WITH INTEGRAL TTL DRIVER.

## SPECIFICATIONS

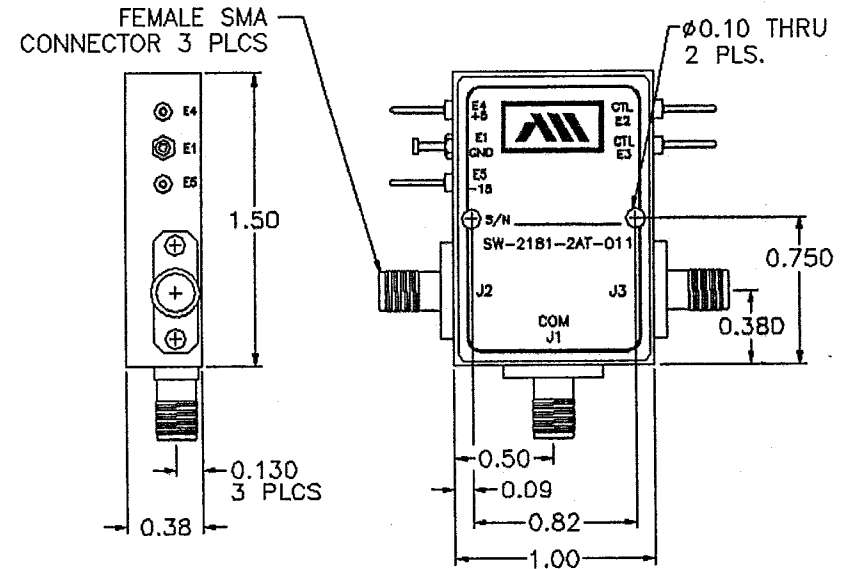
- FREQUENCY RANGE ..... 0.01-18 GHz MINIMUM
- INSERTION LOSS :
  - J1-J2 (LOW BAND) ..... 0.01-2.0 GHz 2.0 dB MAXIMUM
  - J1-J3 (HIGH BAND) ..... 2.0-18.0 GHz 3.0 dB MAXIMUM
- ISOLATION :
  - J1-J2 (LOW BAND) ..... 0.01-2.0 GHz 80 dB MINIMUM
  - J1-J3 (HIGH BAND) ..... 2.0-18.0 GHz 60 dB MINIMUM
- VSWR (ON/OFF) :
  - J1-J2 (LOW BAND) ..... 0.01-2.0 GHz 1.3:1 MAXIMUM
  - J1-J3 (HIGH BAND) ..... 2.0-18.0 GHz 2:1 MAXIMUM
- SWITCHING TIME :
  - RISE (10% RF TO 90% RF) ..... 35 nS MAXIMUM
  - FALL (90% RF TO 10% RF) ..... 35 nS MAXIMUM
  - ON (50% TTL TO 90% RF) ..... 800 nS MAXIMUM
  - OFF (50% TTL TO 10% RF) ..... 100 nS MAXIMUM
- CONTROL ..... TTL COMPATIBLE, UNITY LOAD  
2 INDIVIDUAL CONTROLS  
LOGIC "0" = ISOLATION  
LOGIC "1" = INSERTION LOSS
- POWER SUPPLY ..... + 5VDC ±5% @ 50 mA MAXIMUM  
-12VDC ±5% @ 90 mA MAXIMUM
- CONNECTORS
  - RF INPUT/OUTPUT ..... SMA FEMALE
  - POWER ..... SOLDER PIN
  - CONTROL ..... SOLDER PIN
- SIZE ..... 1.00" x 1.50" x 0.38"

## AVAILABLE OPTIONS

- A01 ..... 50Ω CONTROL IMPEDANCE
- A02 ..... 100Ω CONTROL IMPEDANCE
- A03 ..... INVERSE CONTROL LOGIC (LOGIC "0" INSERTION LOSS)
- A14 ..... J1 SMA MALE, J2 AND J3 SMA FEMALE
- A15 ..... J1 SMA FEMALE, J2 AND J3 SMA MALE
- A16 ..... -5VDC SUPPLY
- A17 ..... +12VDC TO +15VDC SUPPLY
- A18 ..... SINGLE CONTROL (TOGGLE)  
(LOGIC "0" = J1-J3 PATH ON)

REVISIONS				DATE	APPROVED
ZONE	REV.	DESCRIPTION			
A		ORIGINAL RELEASE, JOB # 208206-2E	11/20/92		<i>MJ</i>

## MECHANICAL OUTLINE



E3	E2	RF PATH
0	1	J1-J2
1	0	J1-J3

### NOTES:

- 1) DIMENSIONS ARE IN INCHES
- 2) TOLERANCES: X.XX ±0.020  
X.XXX ±0.010
- 3) WEIGHT: APPROX. 1.3 OZ

## ENVIRONMENTAL RATINGS

- TEMPERATURE ..... -55°C TO +95°C (OPERATING)  
-65°C TO +125°C (STORAGE)
- HUMIDITY ..... MIL-STD-202F, METHOD 103B COND. B
- SHOCK ..... MIL-STD-202F, METHOD 213B COND. B
- VIBRATION ..... MIL-STD-202F, METHOD 204D COND. B
- ALTITUDE ..... MIL-STD-202F, METHOD 105C COND. B
- TEMPERATURE CYCLE ..... MIL-STD-202F, METHOD 107D COND. A



## AMERICAN MICROWAVE CORPORATION

7311G GROVE RD., FREDERICK, MD. 21701  
TEL: (301) 662-4700 FAX: (301) 662-4938

APPROVALS	DATE
<i>W. J. J. / 11/20/92</i>	11/20/92
<i>H. J. J. / 11/22/92</i>	11/22/92

PRODUCT FEATURE		
<b>SW-2181-2AT-011</b>		
0.01 TO 18 GHz, NON-REFLECTIVE SPDT BAND SWITCH MODULE		
SIZE A	SHEET 1 OF 2	DWG. # 100-2758